

# SURETHERM<sup>PRO</sup> 3X

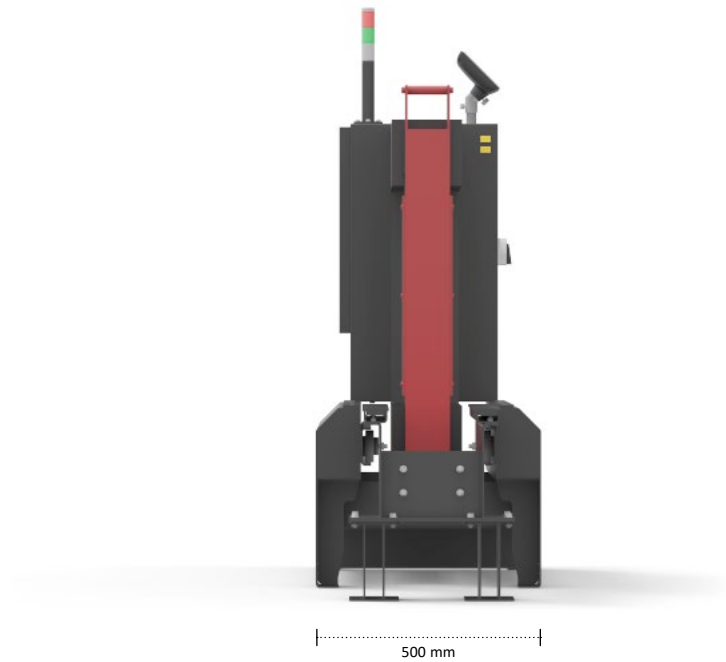
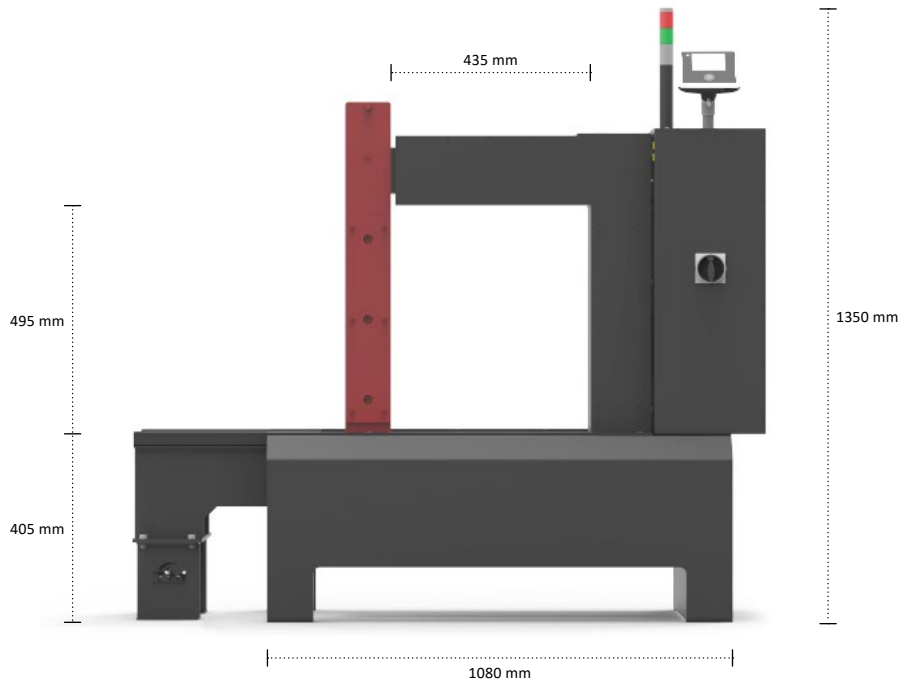


<b>Power rating</b>	25.2 kVA	<b>Current max.</b>	63 A
<b>Voltage</b>	400 - 480 - 575 V	<b>Frequency</b>	50 - 60 Hz

With the SURETHERM series TM Induction Heating introduced the new standard for induction heaters. The SURETHERM series are specially developed for tension free heating of bearings and gearwheels according to the industries' ever-growing standards and requirements. The unique 2 Sensor Mode will guarantee a fully controlled heating cycle. Without any extra effort, this heating method will prevent any unwanted tension in the bearing construction and changes to the metallurgic structures of gear wheels.

The modern touchscreen interface provides lots of settings and displays real time heating graphs in every heating mode. The graphs are downloadable through USB. Future firmware updates of both the touchscreen and the control board can be done easily through USB during the life cycle of the machine. And if you need to heat parts full power, as fast as possible, SURETHERM are the most powerful and effective low frequency induction heaters ever.

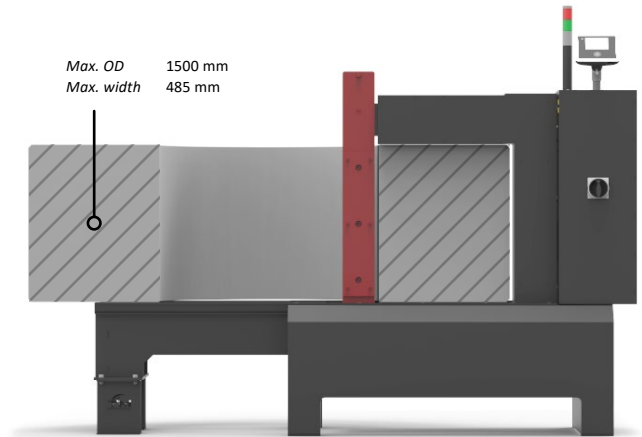
## DIMENSIONS



## DIMENSIONS WORKPIECE HORIZONTAL

(IN MILLIMETERS)

Min. bore	ø40
Max. outer diameter	ø1500
Max. width	485

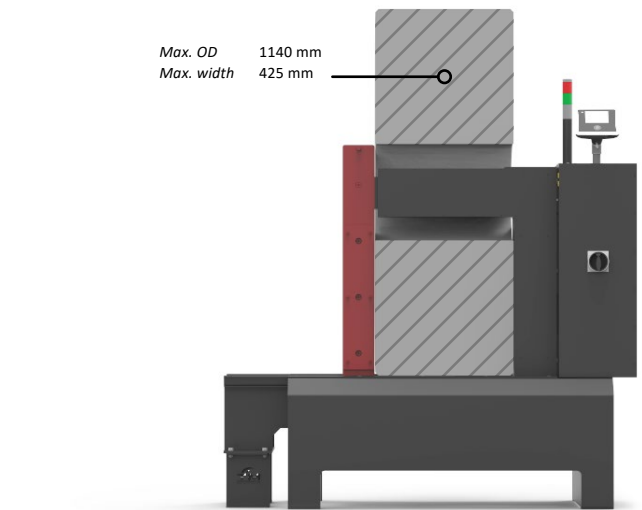


## DIMENSIONS WORKPIECE VERTICAL

(IN MILLIMETERS)

Min. bore	ø300
Max. outer diameter	ø1140
Max. width	425

All extreme dimensions shown are theoretical. In practice there are multiple factors (e.g. workpiece weight, material and placement) that affect and limit the effective and proper heating of the workpiece.



## MAX. WEIGHT WORKPIECE

Bearings	800 kg
Other	800 kg

## CONTROLS



### 1 Sensor Mode

0 - 240 °C \*  
 Power 5 - 100%

Actual temp. and power, Set temp. and power, Timer



### Ramp Mode

5 - 240 °C \*  
 0:00 - 99:59 (mm:ss / hh:mm)

Actual temp. and power, Set temp., Timer



### 2 Sensor Mode

0 - 240 °C \*  
 ΔT 20 - 50 °C

Actual temp., ΔT and power, Set temp. and ΔT, Timer



### Time Mode

0:00 - 99:59 (mm:ss / hh:mm)  
 Power 5 - 100%

Actual temp. and power, Set time and power, Countdown timer

\* Max. 400 °C, available on custom 400 °C execution.

## OTHER

Languages (standard)	English, Spanish, German, French, Italian
Error report	Shown in display
Heating graph	Shown in display
External interface	USB 2.0 Port
Sound signal	Buzzer
Temperature hold	Yes
Demagnetizing	< 2A/cm
Magnetic probe	2 Sensors
Thermal safety guard coil	Yes
Warranty	Max. 36 months (24 + 12)

## AVAILABLE YOKES (OPTIONAL)

<i>Dimensions (mm)</i>	<i>Min. bore (mm)</i>
30 x 26 x 750	ø 40
40 x 38 x 750	ø 55
50 x 48 x 750	ø 70
60 x 60 x 750	ø 85
70 x 70 x 750	ø100
80 x 80 x 750	ø 115
90 x 90 x 750	ø 130
100 x 100 x 750	ø 145